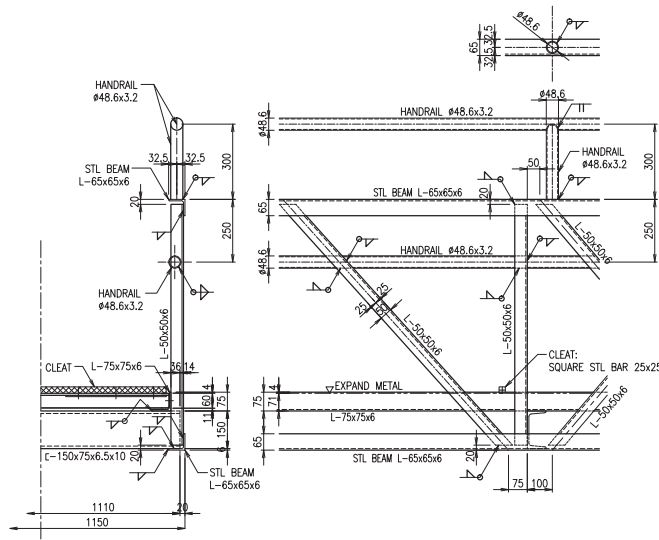


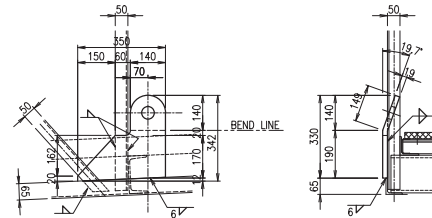
ATTACHMENT (2)-2'

DAN ENGINEERING 24-18 WAKABA-CHO, SASEBO CITY, NAGASAKI-PREF. PHONE 098-33-2555	
APPROVED:	DATE:
FOR COMMANDER NAVAL FACILITIES ENGINEERING COMMAND EAST	ACTIVITY:
SUBMITTER TO DATE: 09/04/12	DES. R.F. CHK. DES. R.F.
NAME: T. FUJIE	BRANCH MANAGER:
PREF. ENG./ARCH.	DATE: 12/05/15
DEPARTMENT OF THE NAVY NAVAL FACILITIES ENGINEERING COMMAND EAST SASEBO, JAPAN U.S. FLEET ACTIVITIES, SASEBO CITY, JAPAN CONSTRUCT 20 FT. PLATFORM & 40 FT. BROW AT JULIET BASIN BERTH 3	
BROW PLAN, SECTIONS & DETAILS	
SHEET NO. 9 OF 11	SCALE: AS NOTED
PROJECT NO.: N40084-14-D-6502	CONTRACT NO.: 13617392
NAVAL DRAWING NO.: 17168120	SHEET DATE: 17168120
SHEET 9 OF 11	DATE: 12/05/15
PAPER SIZE: A4(11mm x 54mm)	DRAWING REVISION: 12 MARCH 2009
SRN-NO.:	PW DWG. NO.:



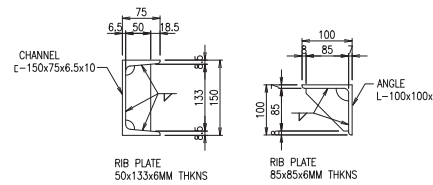
DETAIL OF TRUSS BROW (TYP)

Scale 1:10



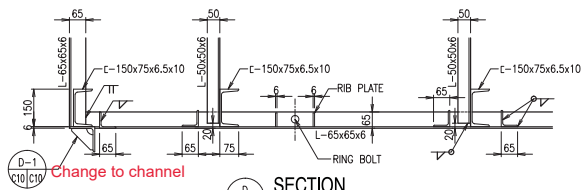
DETAIL OF HANGER (TYP)

Scale 1:10



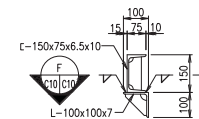
DETAIL OF RIB PLATE

Scale 1:5



SECTION

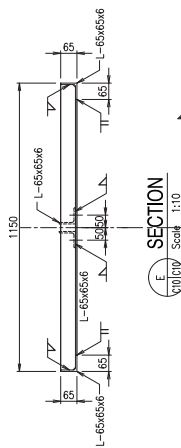
Scale 1:10



DETAIL

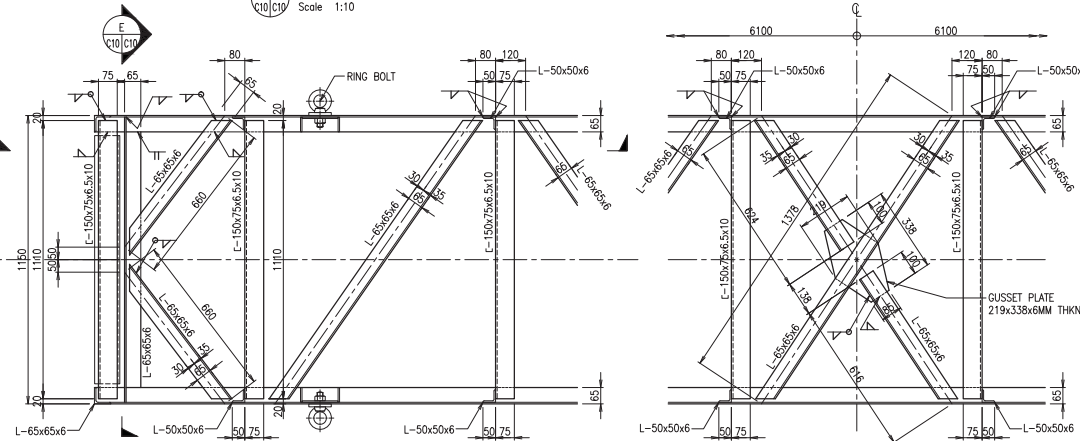
Scale 1:10

Change to channel



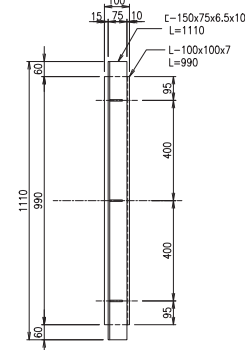
SECTION

Scale 1:10



DETAIL OF BOTTOM CHORD PLAN (TYP)

Scale 1:10

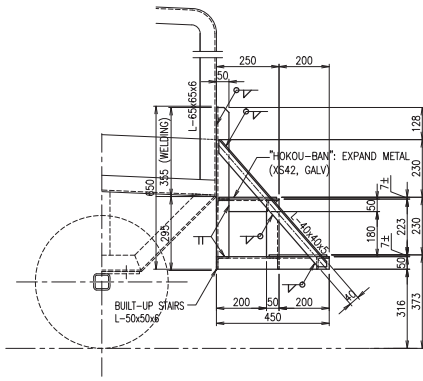


SECTION

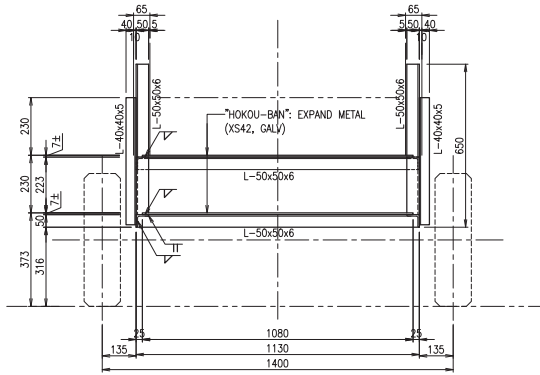
Scale 1:10

ATTACHMENT (2)-3

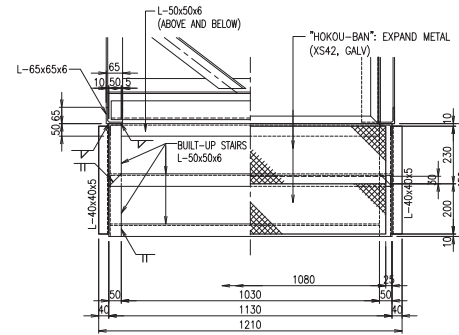
<p>DAN ENGINEERING 24-18 WAKABA-CHO, SASEBO CITY, NAGASAKI-PREF. PHONE 0938-33-2555</p>	
<p>DATE: _____ FOR COMMANDER NAUSIC ACTIVITY: _____</p>	<p>DATE: 09/20/00 DES. R.F. / DW. J.M. / CHK. R.S.Z. PLM/M. T. FUJIE BRANCH MANAGER CHECK ENG/ARCH. _____</p>
<p>DEPARTMENT OF THE NAVY NAVAL FACILITIES ENGINEERING COMMAND EAST SASEBO, JAPAN U.S. FLEET ACTIVITIES, SASEBO CONSTRUCT 20 FT. PLATFORM & 40 FT. BROW AT JULIET BASIN BERTH 3 DETAIL OF TRUSS BROW & BOTTOM CHORD PLAN</p>	
<p>PROJECT NO.: 13617392 CONTRACT NO.: N40084-14-D-6502 NATCO DRAWING NO.: 17168121 SHEET 10 OF 11</p>	<p>AS NOTED 13617392 17168121</p>
<p>PAPER SIZE: 841mm x 594mm SHEET NO.: _____ DATE: 12/05/15 DRAWING REVISION: 10 MARCH 2009 FW DWG. NO.:</p>	



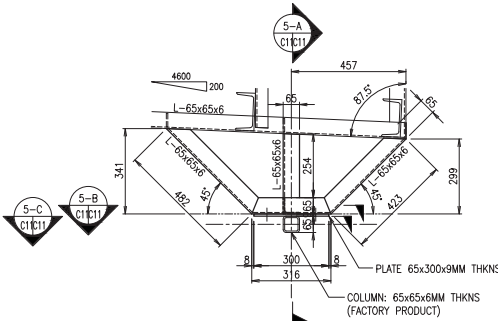
4
C11/C11
DETAIL OF BUILT-UP STAIRS
Scale 1:10



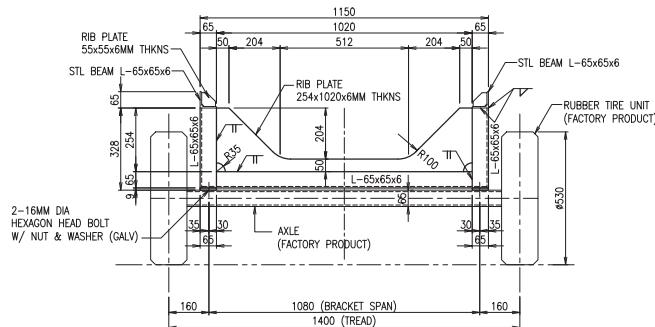
FRONT ELEVATION
Scale 1:10



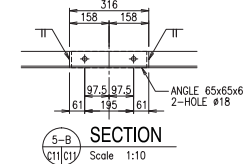
PLAN OF BUILT-UP STAIRS
Scale 1:10



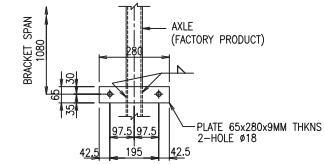
5
C11/C11
DETAIL OF WHEEL FRAME
Scale 1:10



5-A
C11/C11
SECTION
Scale 1:10



5-B
C11/C11
SECTION
Scale 1:10



5-C
C11/C11
SECTION
Scale 1:10

STEEL MATERIALS DESCRIPTION FOR BROW

- (1) ROLLED STEELS FOR GENERAL STRUCTURE, JIS G 3101, SS400
C-150x75x6.5x10, L-100x100x7, L-75x75x6, L-65x65x6, L-50x50x6, L-40x40x5, L-40x40x3
FB-38x4.5MM THKNS, STEEL PLATE 20MM THKNS, 9MM THKNS, 6MM THKNS
SQUARE STEEL BAR 25x25
- (2) LIGHT GAUGE STEEL SECTIONS FOR GENERAL STRUCTURE, JIS G 3350, SSC400
C-60x30x2.3
- (3) HEXAGON HEAD BOLTS AND HEXAGON HEAD SCREWS, JIS B 1180, GALV
16MM DIA, 8MM DIA

- (4) EYEBOLT, JIS B 1168, SS (QUALITY OF MATERIAL), GALV
24MM DIA (RING BOLT)
- (5) EXPANDED METALS JIS G 3351, GALV
XS42 (HOKOU-BAN)
- (6) CARBON STEEL TUBES FOR GENERAL STRUCTURAL PURPOSES, JIS G 3444, STK400
#48.6x3.2MM THKNS (HANDRAIL)

ATTACHMENT (2)-4

DAN ENGINEERING 24-18 WAKABA-CHO, SASBO CITY, IWAGUCHI-PREF. PHONE 0836-33-2555	
APPROVED: _____ FOR COMMANDER NAHC	DATE: ____/____/____ ACTIVITY: _____
SUBMITTER TO DATE: 00/00/00 DES. R.F. DES. CHK. R.F. PLAN/MANAGER: T. FUJIE BRANCH MANAGER: _____ PREF. ENG./ARCH: _____ DATE: 12/05/15	
DEPARTMENT OF THE SHIPYARD NAVAL FACILITIES ENGINEERING COMMAND EAST ASIAN SASEBO, JAPAN U.S. FLEET ACTIVITIES, SASEBO CONSTRUCT 20 FT. PLATFORM & 40 FT. BROW AT JULIET BASIN BERTH 3 DETAIL OF BUILT-UP STAIRS & WHEEL FRAME	
SHEET NO.: AS NOTED PROJECT NO.: 13617392 CONTROL NO.: N40084-14-D-6502 NATAC DRAWING NO.: 17168122 SHEET 11 OF 11	DRAWING REVISION: 10 MARCH 2020 FW DWG. NO.: _____