

USNS SACAGAWEA  
(T-AKE 2)

MACHINERY, AUXILIARY SYSTEMS

ITEM NO. 579

CATEGORY "A"

20 February 2023  
MSC/N756

CARGO CRANE ABS ANNUAL SUPPORT

ENCLOSURE 1:



USNS SACAGAWEA  
(T-AKE 2)

MACHINERY, AUXILIARY SYSTEMS

ITEM NO. 579

CATEGORY "A"

20 February 2023  
MSC/N756

CARGO CRANE ABS ANNUAL SUPPORT



USNS SACAGAWEA  
(T-AKE 2)

MACHINERY, AUXILIARY SYSTEMS

20 February 2023  
MSC/N756

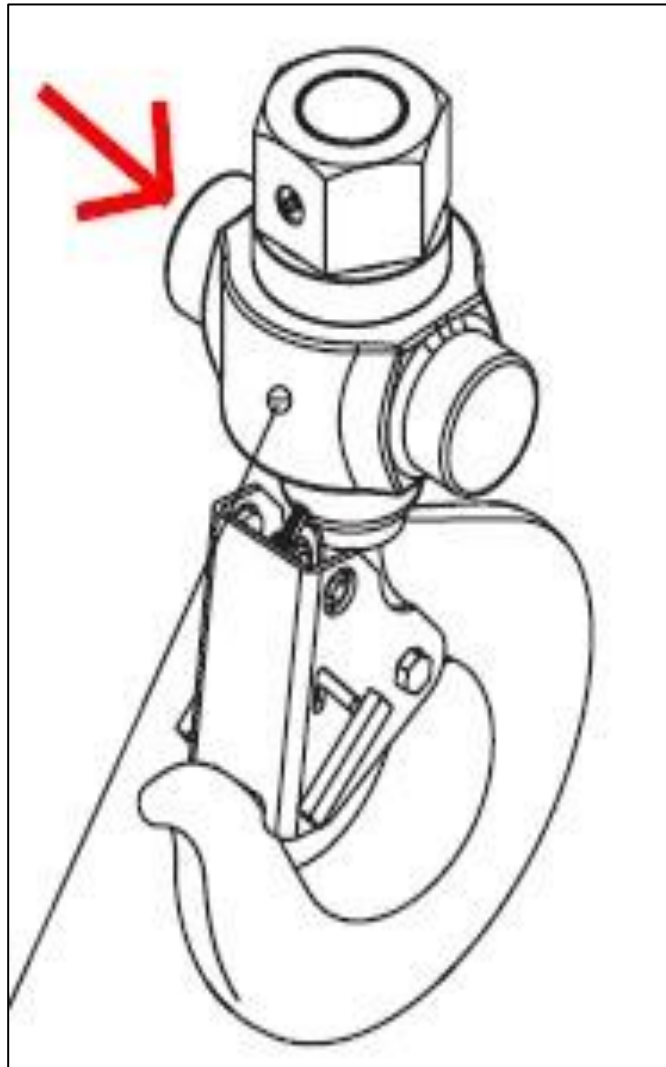
ITEM NO. 579

CATEGORY "A"

CARGO CRANE ABS ANNUAL SUPPORT

ENCLOSURE 2: Crane Throat Hook

Measurement



USNS SACAGAWEA  
(T-AKE 2)

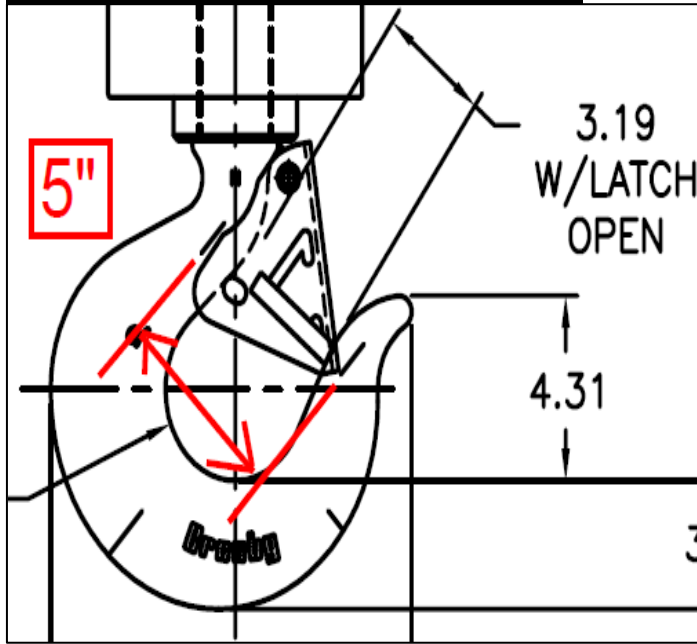
MACHINERY, AUXILIARY SYSTEMS

20 February 2023  
MSC/N756

ITEM NO. 579

CATEGORY "A"

CARGO CRANE ABS ANNUAL SUPPORT



USNS SACAGAWEA  
(T-AKE 2)

MACHINERY, AUXILIARY SYSTEMS

20 February 2023  
MSC/N756

ITEM NO. 579

CATEGORY "A"

CARGO CRANE ABS ANNUAL SUPPORT

