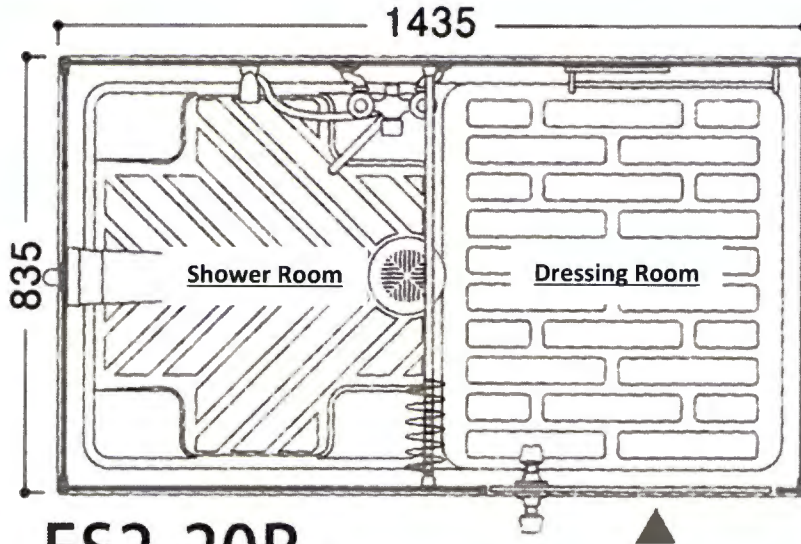


Ship/HULL NO.	Ship/HULL NAME	JON:	ICN:	Rev:	Key Op:
MCM-7	USS PATRIOT				

TITLE:

Temporary Shower Unit for Ship's Force Use; provide



Typical Image

**FS2-20R**

Approximate Size: W 1435 by D 835 by H2080 (Millimeter)



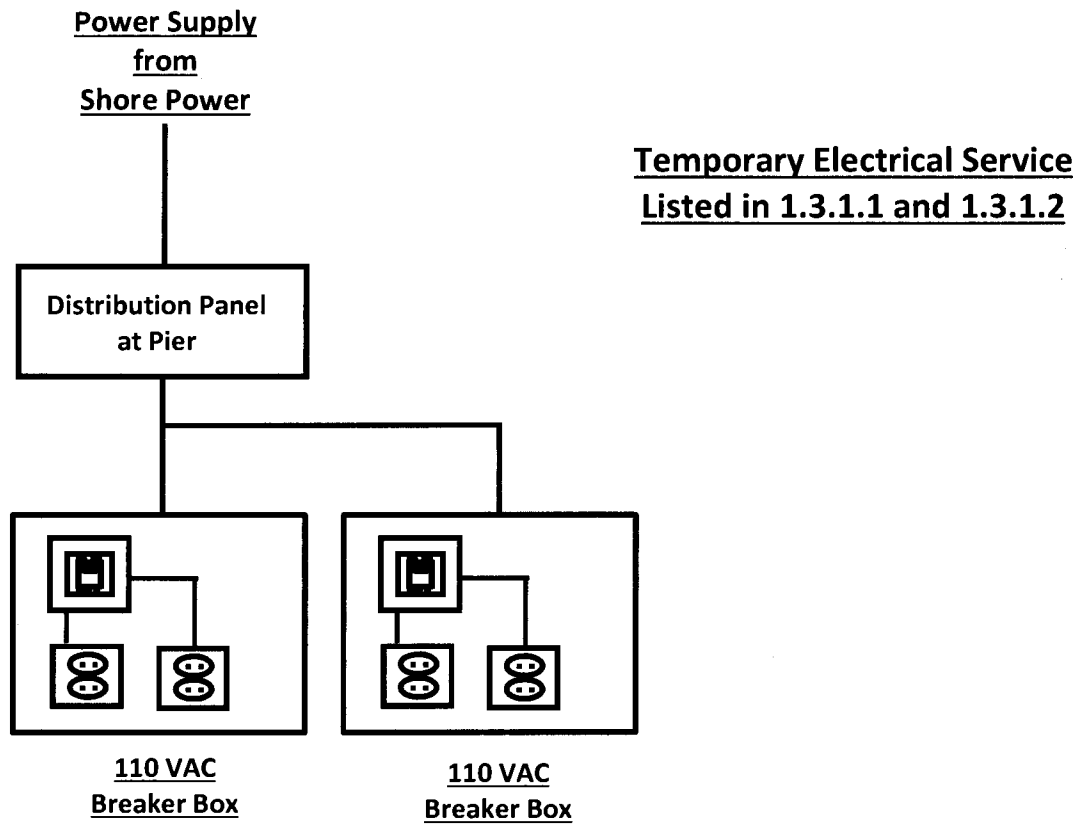
External View

Temporary Shower Unit  
Listed in 1.3.1

Ship/HULL NO. MCM-7	Ship/HULL NAME USS PATRIOT	JON:	ICN: 3807G86308	Rev: 02	Key Op: A03
------------------------	-------------------------------	------	--------------------	------------	----------------

TITLE:

Temporary Shower Unit for Ship's Force Use; provide



Wiring Diagram (Typical)

**NOTE:**

Ensure the temporary electrical service (110VAC/30A x 2 EA) required by Temporary Shower Unit.